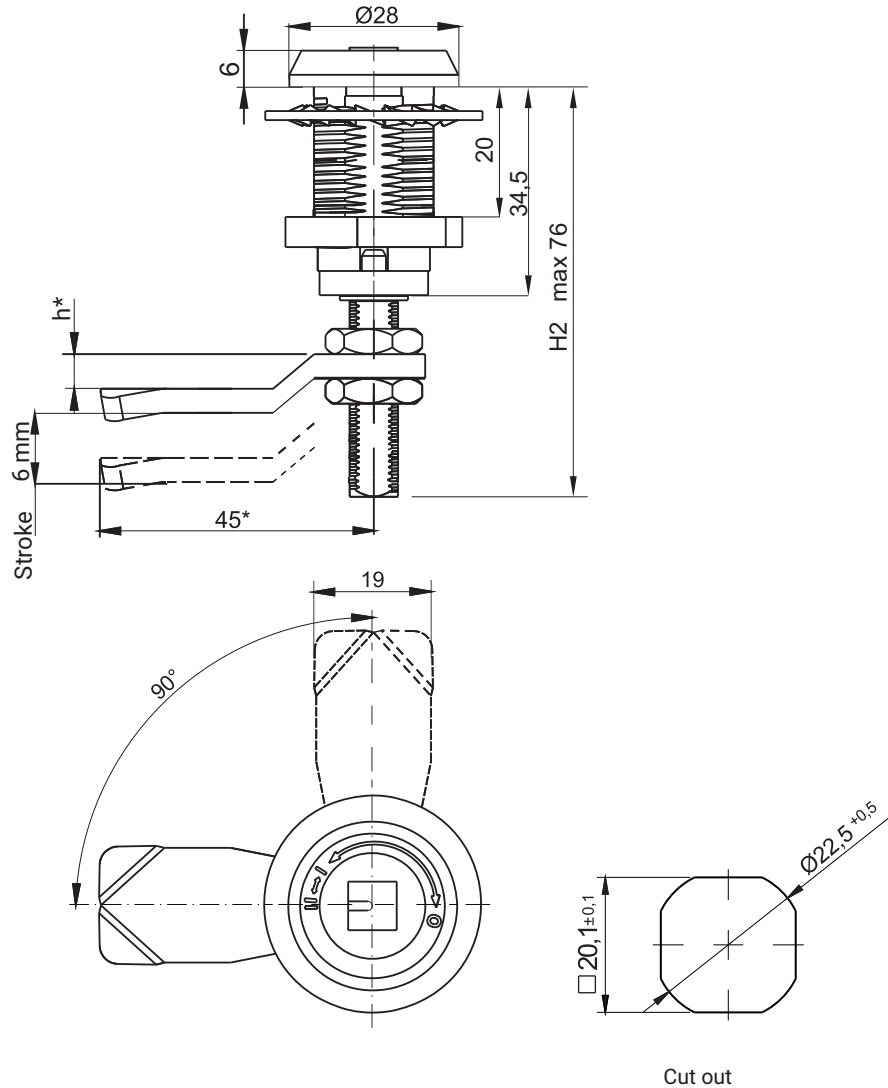


stainless steel LH/RH



Insert					Finish [C]
					Chrome
T9	KW 8	S	N	RAILWAY	01

TYPE OF LOCK	COMPONENTS	MATERIAL
M22SC	Housing, insert	ZAMAK5
	Cam	Steel zinc plated
M22SC SN	Housing, insert	Stainless steel
	Cam	

How to order :

M22SC — T9 — 3 — C — P

Type of lock _____

Type of insert _____

Height cam h = 0, 3, 6, 9, -3, -6, -9 _____

Finish _____

Lock version (P-right, L-left) _____

* possibility to make in another dimension
 Lock M22SC addition to being locked, has shaped the possibility of additional security padlock.