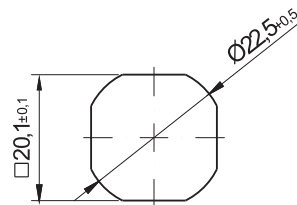
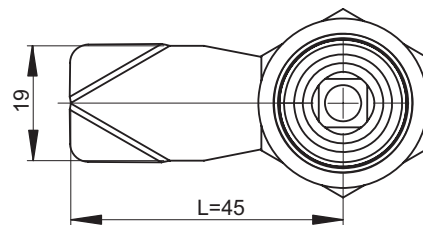
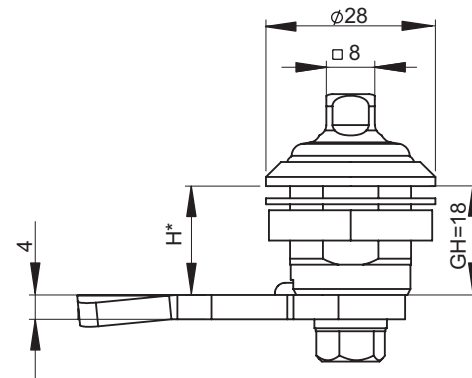


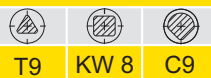
stainless steel	IP69K	LH/RH
-----------------	-------	-------



Cut out

The lock have a the IP69K protection
 The seals are in accordance with FDA and have allowing from to come into contact with the food product
 * standard material stainless steel 304, possible to order stainless steel 316

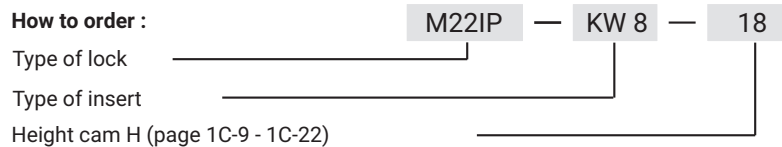
Insert



T9 KW 8 C9

NAME	COMPONENTS	MATERIAL
Lock M22 IP	Housing, insert	Stainless steel
	Cam	Stainless steel

How to order :



* possibility to make in another dimension