

Key code		Finish [C]
25001	RK	Chrome
		01

TYPE OF LOCK	COMPONENTS	MATERIAL
Z-2106	Housing	ZAMAK5
	Cam	Steel zinc plated

How to order :

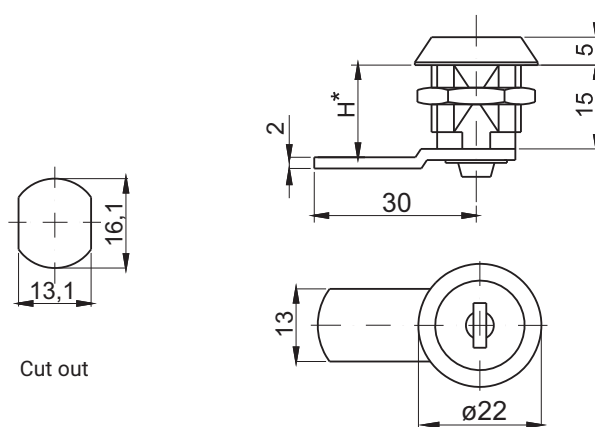
Z-2106 — RK — 20 — C

Type of lock _____

Key code _____

Height cam H = 20, 22, 26 _____

Finish _____



Key code		Finish [C]
827	RK	Chrome
		01

TYPE OF LOCK	COMPONENTS	MATERIAL
Z-0233	Housing	ZAMAK5
	Cam	Steel zinc plated

How to order :

Z-0233 — RK — 15 — C

Type of lock _____

Key code _____

Height cam H = 15, 17 _____

Finish _____

* possibility to make in another dimension