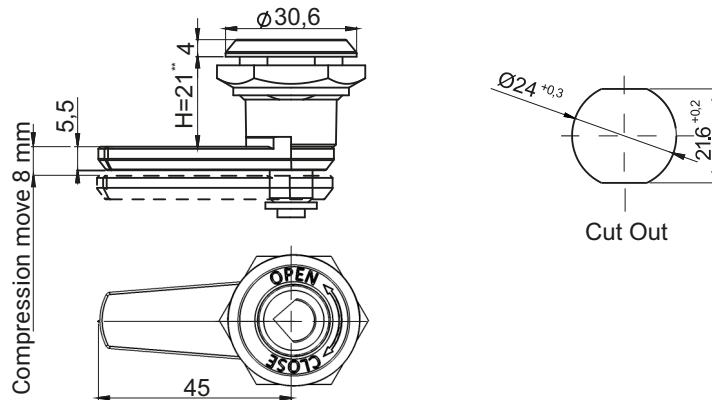


Lock on the drawing in the left door version  
The possibility adapting the lock to the door right ( Pic.1).

Pic.1 Lock in the closed position.  
The arrow means the direction opening the lock

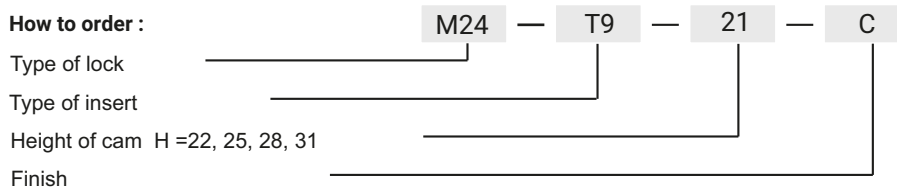
Insert										Finish [C]		
										Nickel	RAL 9005	RAL 7035
T6	T8	T9	L	KW 8	S	N	C9	D3	D5	02	04	05
NAME		COMPONENTS			MATERIAL							
Lock M24		Housing			ZAMAK5							
		Cam, insert			Steel zinc plated							
		Blocade			Stainless steel							

### IP65



Insert											Finish [C]		
											Nickel	RAL 9005	RAL 7035
T6	T8	T9	T10	L	KW 8	S	N	C9	D3	D5	02	04	05
NAME		COMPONENTS			MATERIAL								
Lock M24ZN		Housing, cam			ZAMAK5								
		Insert			Steel zinc plated								

How to order :



\* possibility to make in another dimension  
\*\* lock M24ZN available only with cam dimension H=21 mm