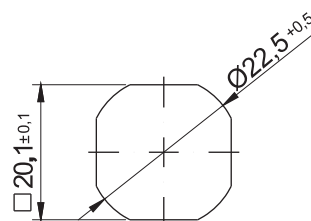
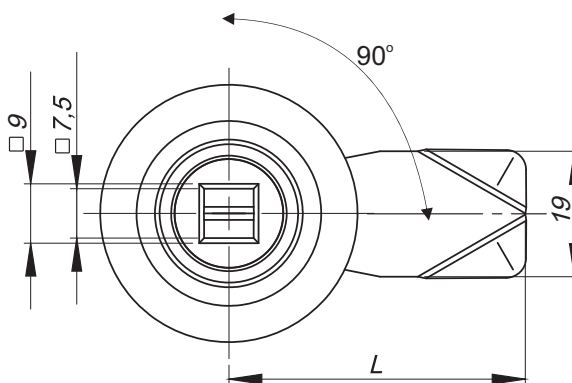
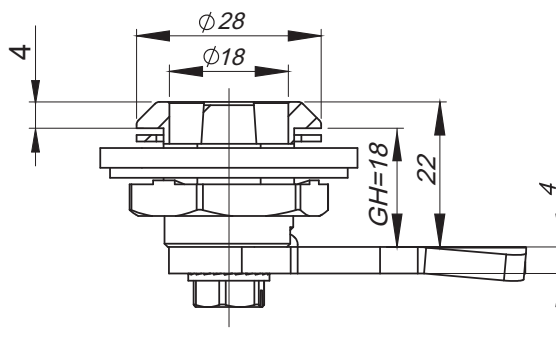


stainless steel
IP65



Cut out

The lock in accordance to NF F 01-054 standard.
The lock has a strength test on opening and closing process
and also tests describing the impact of vibration according to EN 61373 standard.

Washer M22 DIN 125 A included.

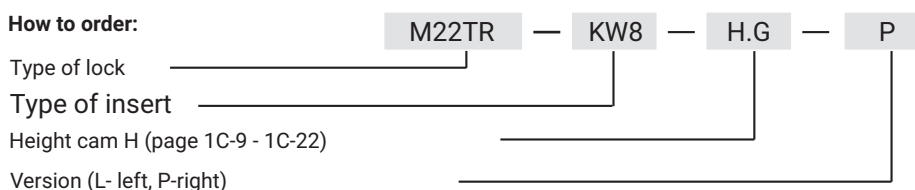
Inserts



T9 KW 8

NAME	COMPONENTS	MATERIAL
Lock M22TR	Housing, insert	Stainless steel 304
	Cam	Stainless steel 304

How to order:



where H.G - the cam unbending dimension

Notice:

Lock M22TR is compatible with all cams from range : 13, 14, 33, 34,
H.G dimension to be chosen from pages 1C-9 to 1C-22 from the catalogue.