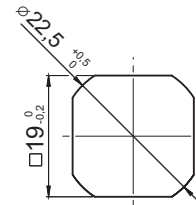
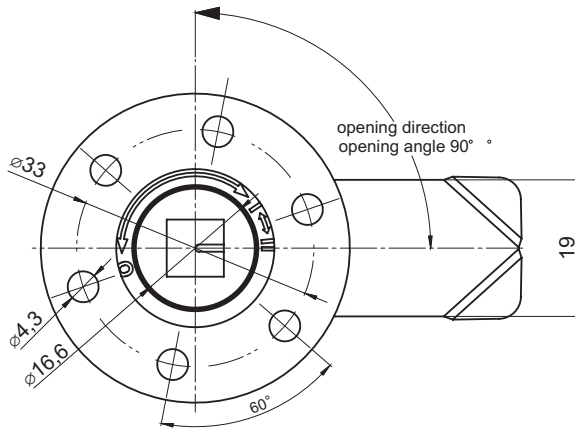
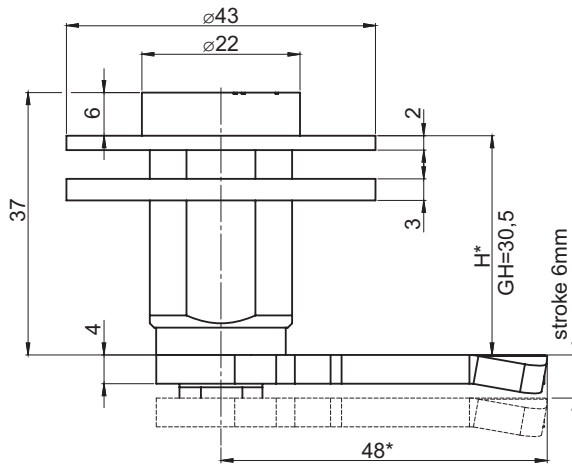
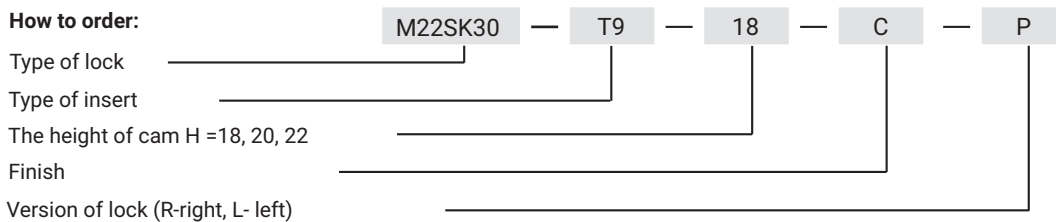


stainless steel



Cut out

INSERTS					FINISH [C]
					Chrome
T9	KW 8	S	N	RAILWAY	01
TYPE OF LOCK		COMPONENTS			MATERIAL
M22SK30		Housing			ZAMAK5
		Insert			Stainless steel
		Cam, Washer, Nut			Zinc plated steel
M22SK30SN		Housing, Insert, cam, washer, Nut			Stainless steel



* Possibility to order in a different dimension