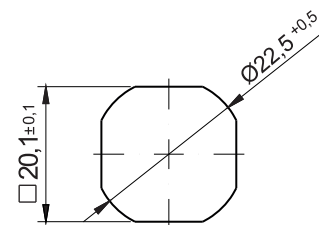
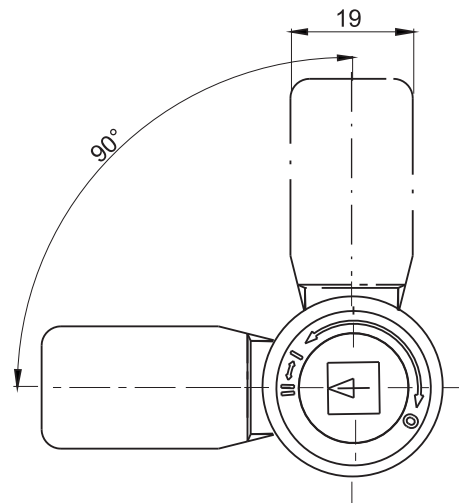
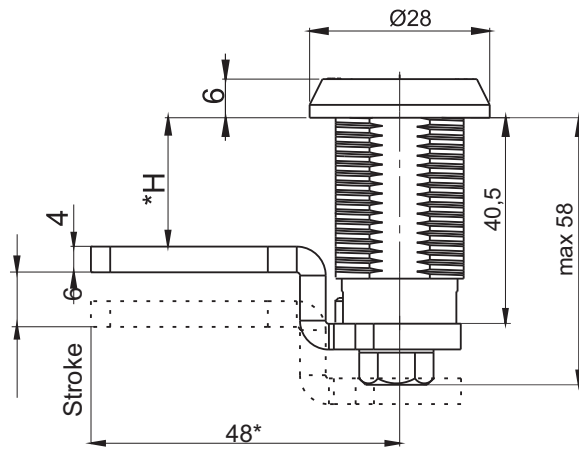


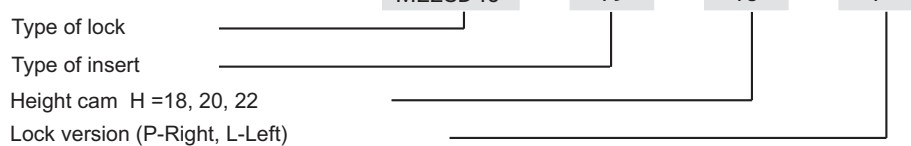
stainless steel LH/RH



Cut out

Insert				
T9	KW 8	S	N	RAILWAY
TYPE OF LOCK		COMPONENTS	MATERIAL	
M22SD40		Housing, insert	Stainless steel	
		Cam		

**How to order :**



\* possibility to make in another dimension  
 Lock M22SD40 addition to being locked, has shaped the possibility of additional security padlock.