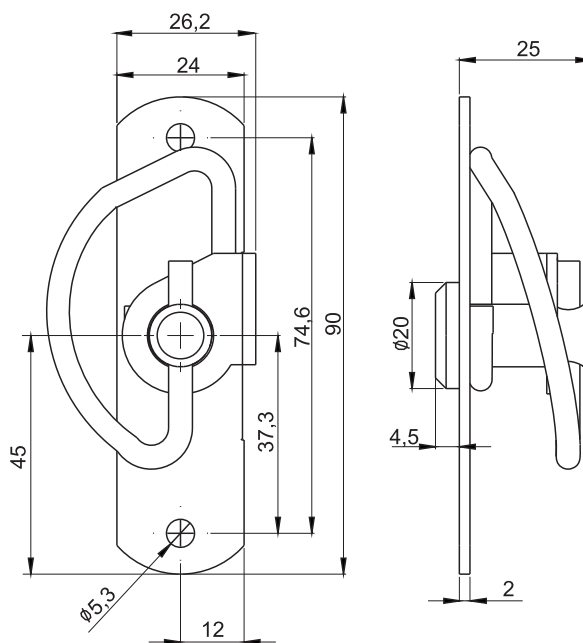
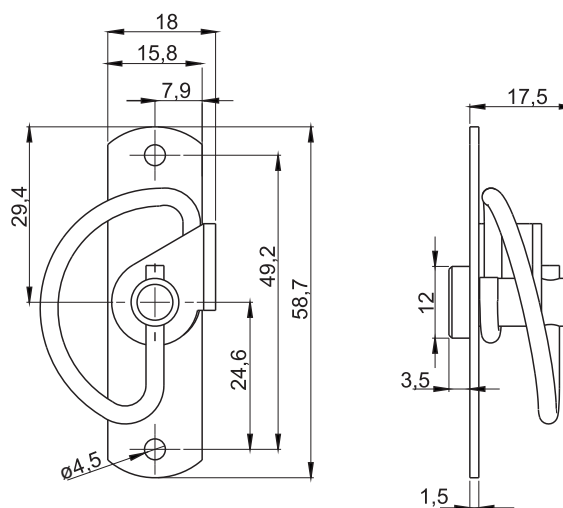


stainless steel



Inserts				
KW8	KW8 inner	T9	S	HEX6
TYPE OF LOCK	COMPONENTS		MATERIAL	
2.504.001	Housing, insert Spring		Stainless steel	

stainless steel



TYPE OF LOCK	COMPONENTS	MATERIAL
2.504.002	Housing, insert Spring	Stainless steel

How to order :
 Type of lock _____ 2.504.001 — KW8
 Type of insert _____